

Tier 3 Bonn

S. Nderitu, R. Zimmermann

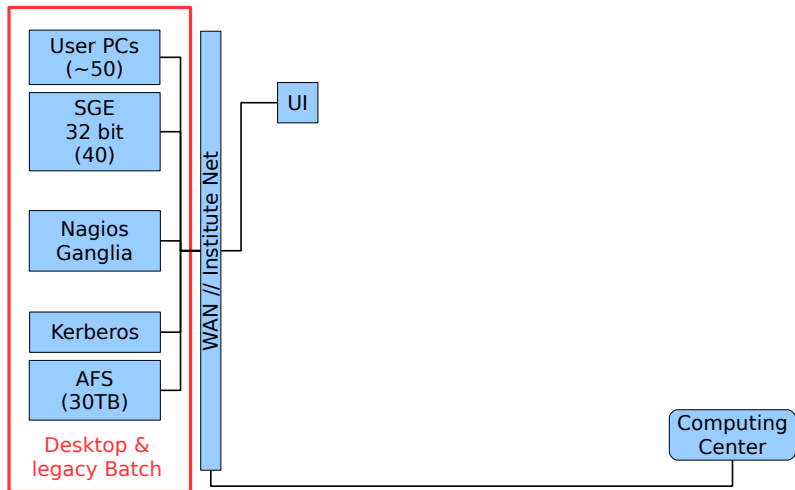
Physikalisches Institut
Universität Bonn

10.02.2009

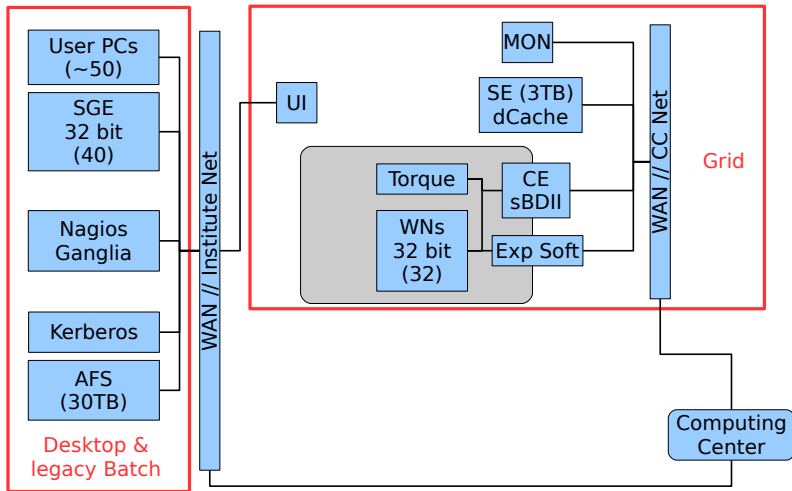
2nd Workshop on Grid Projects of the Helmholtz Alliance



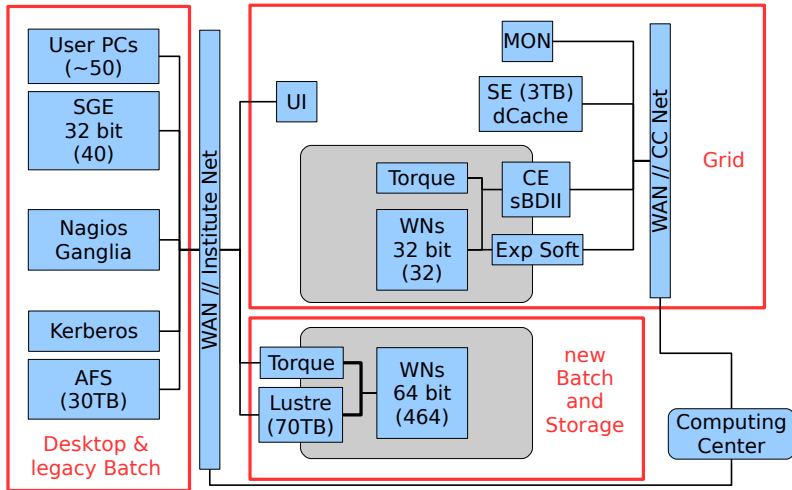
HEP Computing Infrastructure – Last Year



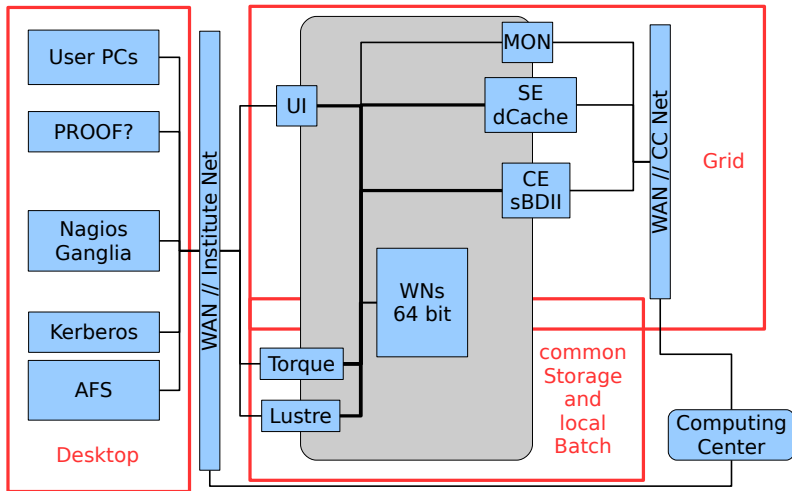
HEP Computing Infrastructure – Since December



HEP Computing Infrastructure – This Week



HEP Computing Infrastructure – Possible Future



Additional Details

	Desktops	Grid	possible Future
Base System	Debian 4 (32)	SL 4 (32)	?/SL (64)
Batch System	SGE	Torque	Torque
Homes	AFS	local	AFS/Lustre
Data	AFS	dCache	Lustre/dCache
Exp SW	AFS	NFS	Lustre
Cluster Mgmt	Puppet	Scripts	Quattor

Access to Site Resources

- Focus on local users (ATLAS/ILC)
- ILC
- Probably best effort for ATLAS/DE, CALICE, ...

Open Questions

"things we'd like to know more about"

- Torque & Kerberos integration
- AFS in pub. & priv. net possible
- Quattor (what flavor? / Debian-based distros?)
- PROOF (performance / requirements)
- SE & dCache & Lustre possibilities
- Known problems / pitfalls to look out for