

• R-parity violating mSUGRA with stau LSP

Klaus Desch, Sebastian Fleischmann, Peter Wienemann; Univ. Bonn

- Introduction
- Phenomenology of the RPV mSUGRA model (benchmark points)
- Results and open questions
- Summary



Introduction

- R-parity usually taken as conserved to avoid rapid proton decay; results in stable LSP
- Stable LSP needs to be neutral and weakly interacting by cosmological constraints
- Other symmetries exist which stabilize the proton, but break R-parity: LSP not stable \Rightarrow no constraints on LSP
 - Baryon triality
 - Lepton parity



R-parity violating terms

- All possible fully-renormalizable gauge invariant terms:
Introduce Baryon number (B) or Lepton number (L) violating couplings

$$\begin{aligned}
 \mathbf{W}_{\mathcal{R}_P} = & \epsilon_{ab} \left[\frac{1}{2} \underbrace{\lambda_{ijk} L_i^a L_j^b \bar{E}_k}_{\text{violates } L} + \underbrace{\lambda'_{ijk} L_i^a Q_j^{bx} \bar{D}_{kx}}_{\text{violates } L} \right] \\
 & + \frac{1}{2} \epsilon_{xyz} \underbrace{\lambda''_{ijk} \bar{U}_i^x \bar{D}_j^y \bar{D}_k^z}_{\text{violates } B} - \epsilon_{ab} \underbrace{\kappa^i L_i^a H_u^b}_{\text{violates } L}
 \end{aligned}$$

- Only B **or** L violating couplings allowed to prevent proton decay



R-parity violating terms:

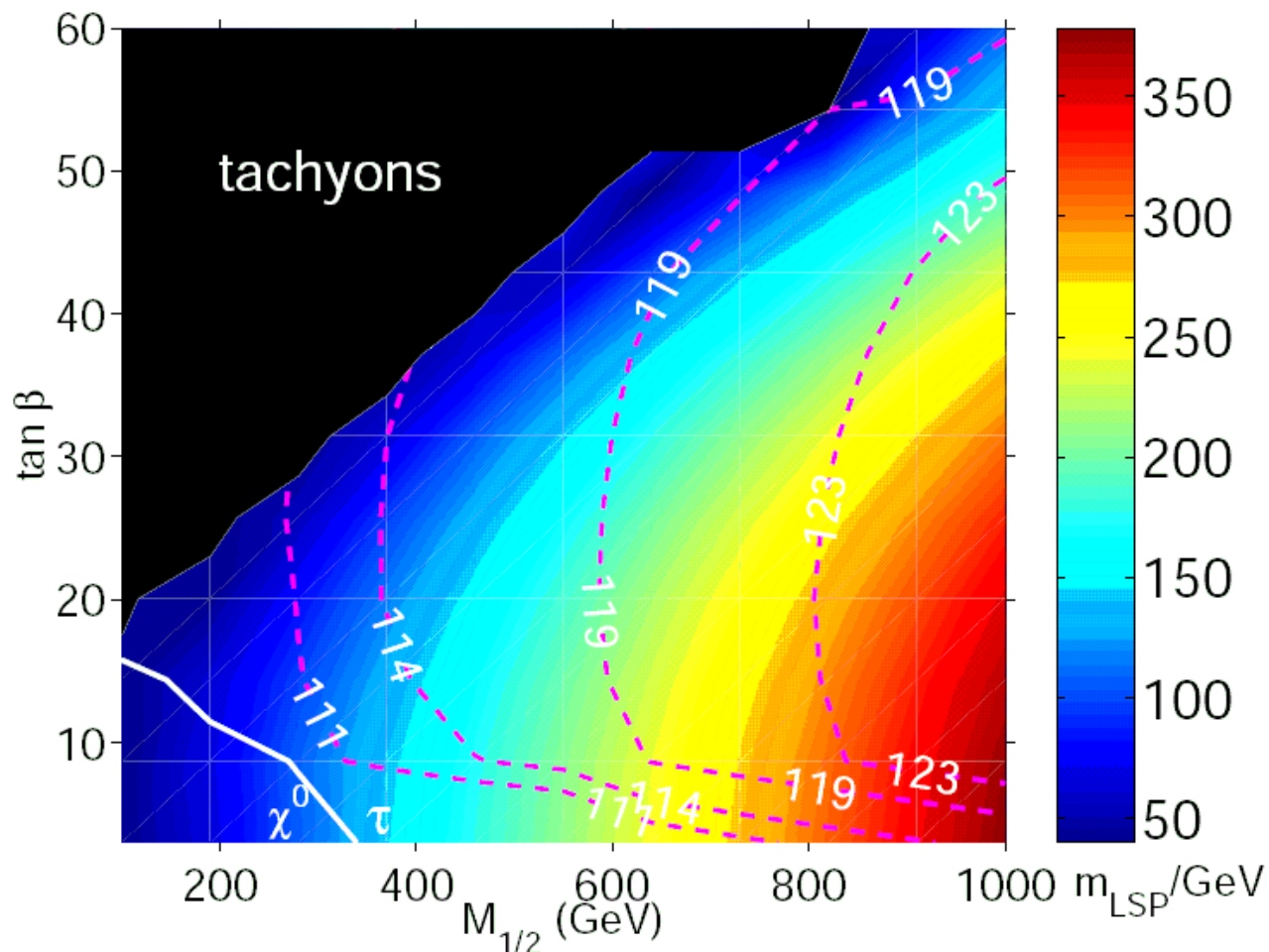
Existing Bounds

- Strong bounds from precision measurements exist on those couplings
 - RPV and bounds studied by [Allanach, Dedes, Dreiner: Phys.Rev.D69:115002,2004]
 - Couplings too small to change SUSY mass spectrum significantly compared to the related RPC case, but nature of LSP may change
- Choosing one non-vanishing λ , λ' or λ'' coupling at M_{GUT} generates several other RPV couplings at the weak scale by RGEs.
 - full RGEs given in the above paper (will be available in SOFTSUSY)
 - Choosing 2 non-vanishing couplings at GUT scale gives even stronger bounds, so usually only one coupling chosen at a time



no-scale mSUGRA: LSP mass and type

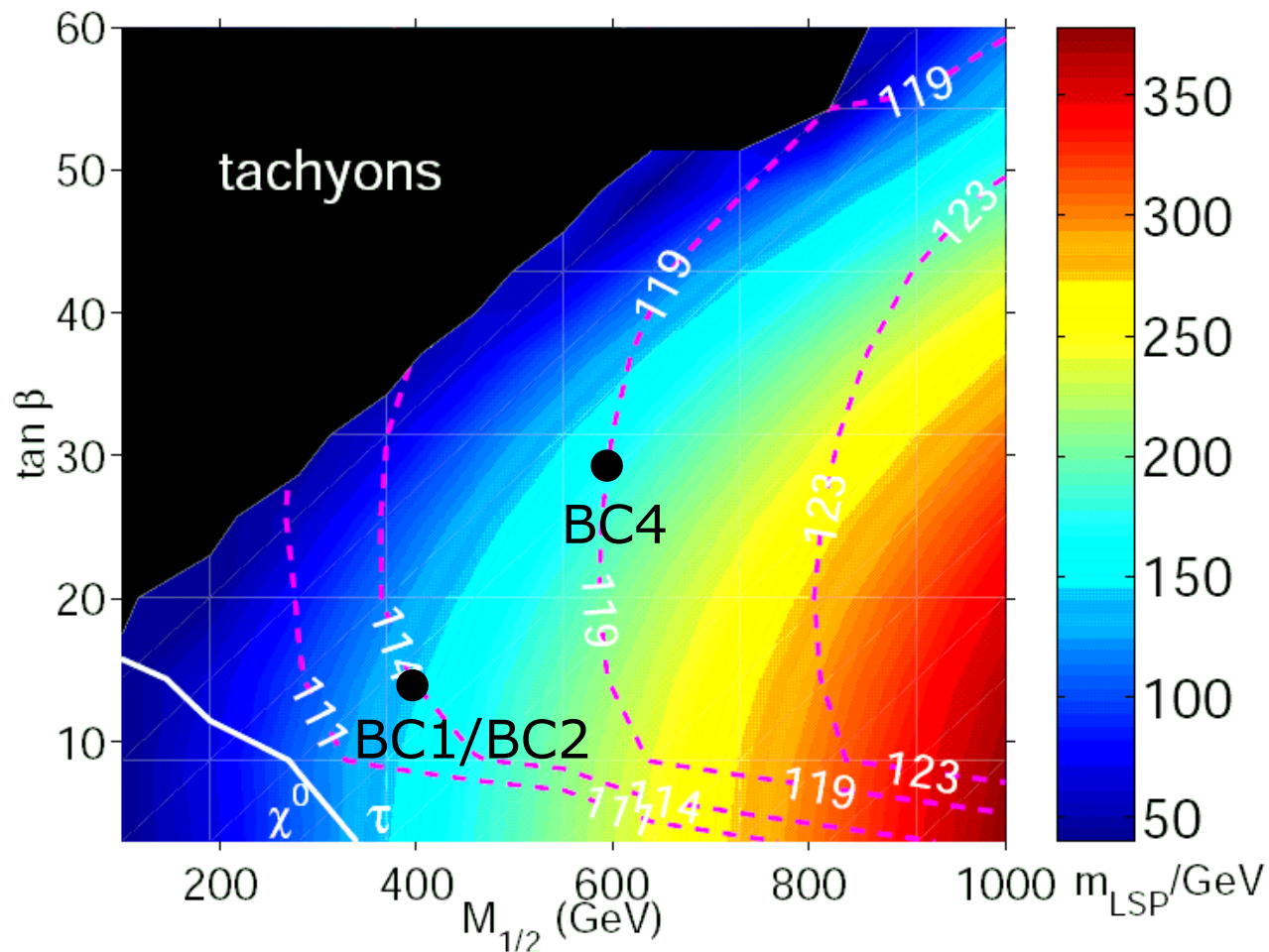
- dashed lines show contours of lightest Higgs mass
- LEP2 bound on SM Higgs mass: $m_h = 114.4$ GeV
- $M_0 = A_0 = 0$



no-scale mSUGRA:

Stau LSP Benchmark Points

- Benchmark points with stau LSP proposed in [Allanach et. al., Phys.Rev.D75:035002,2007]

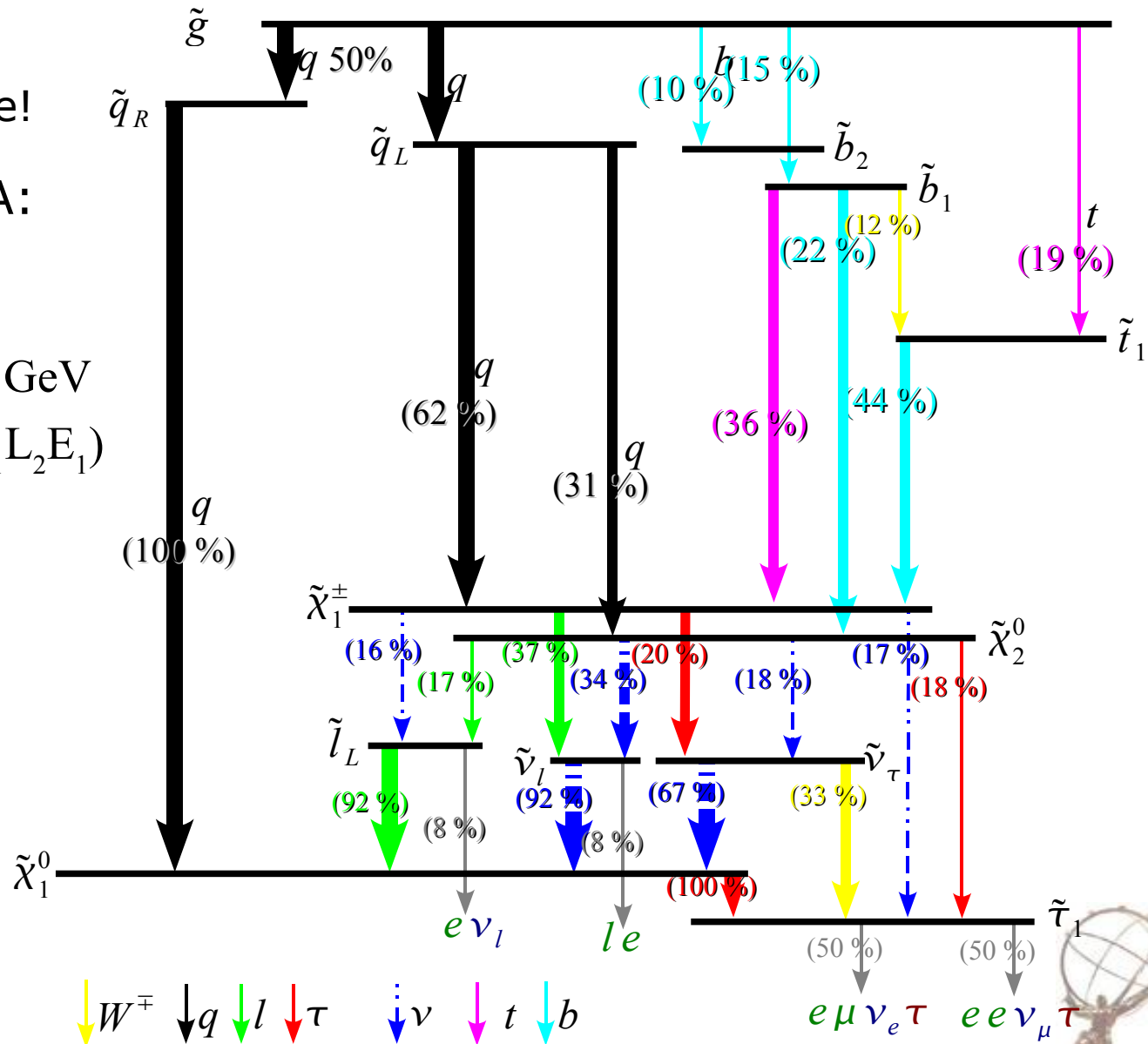
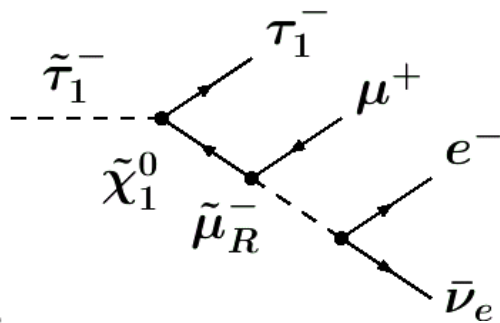


RPV mSUGRA Benchmark Points:

BC1

Spectrum not to scale!

- no-scale mSUGRA:
 $A_0 = M_0 = 0 @ M_{\text{GUT}}$,
 $\text{sgn}(\mu) = +1$,
 $\tan \beta = 13$, $M_{1/2} = 400 \text{ GeV}$
- $\lambda_{121}(M_{\text{GUT}}) = 0.032 (L_1 L_2 E_1)$



RPV mSUGRA Benchmark Points:

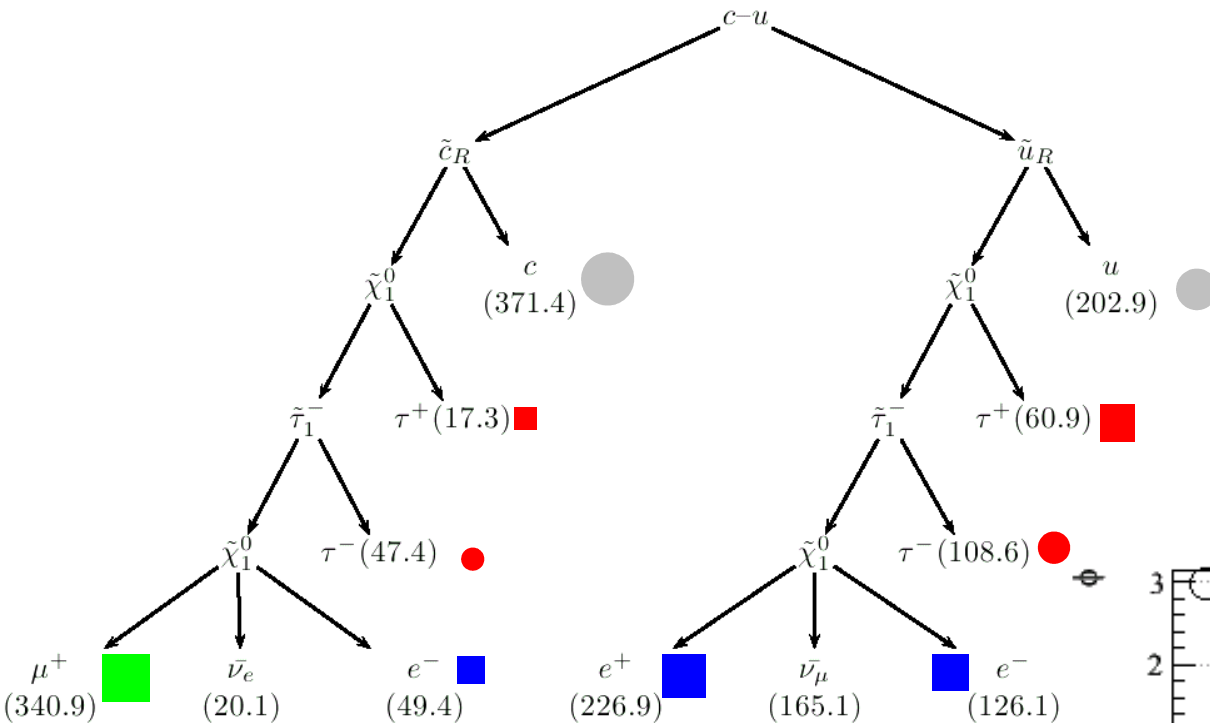
BC1 – signal rates

e^+/μ^+	e^-/μ^-	τ^+	τ^-	events	fraction
2	2	2	2	33.9%	$\pm 0.3\%$
3	2	2	2	12.2%	$\pm 0.2\%$
2	3	2	2	8.0%	$\pm 0.1\%$
3	3	2	2	7.6%	$\pm 0.1\%$
2	2	2	1	4.5%	$\pm 0.1\%$
2	2	3	2	4.4%	$\pm 0.1\%$
2	2	2	3	2.9%	$\pm 0.1\%$
2	2	1	2	2.9%	$\pm 0.1\%$
2	2	1	1	2.4%	$\pm 0.1\%$
3	2	2	3	1.7%	$\pm 0.1\%$



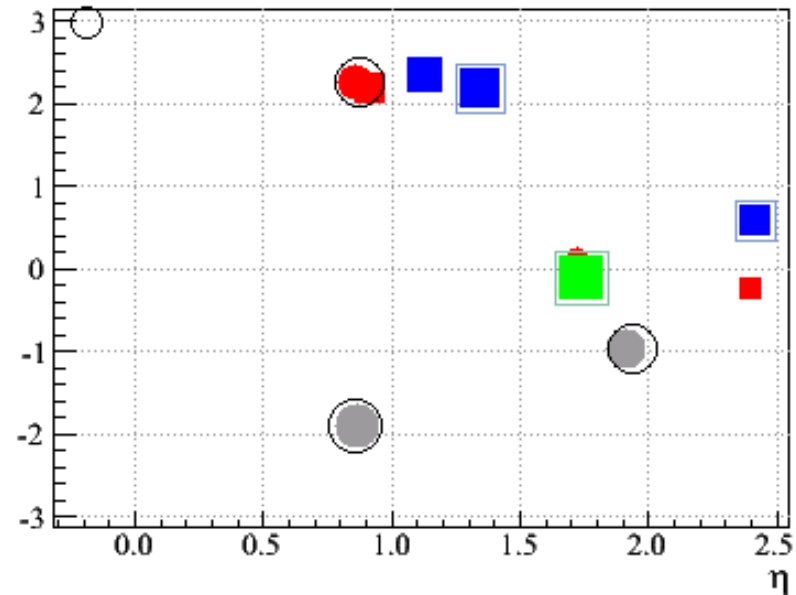
RPV mSUGRA Benchmark Points:

BC1 – sample event



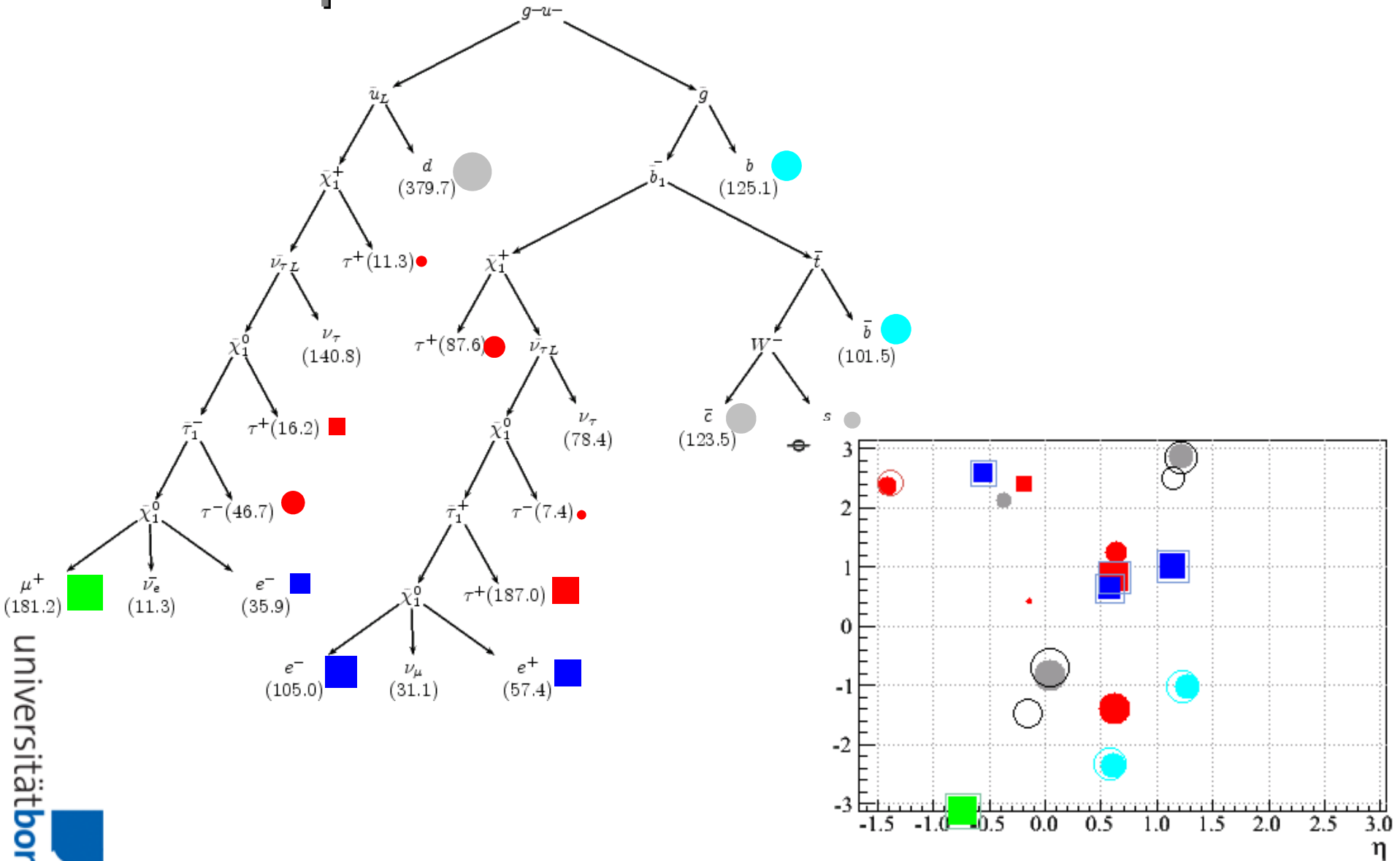
■ muon
■ electron
● light quark

■ leptonically decayed tau
● hadronically decayed tau



marker size prop. to $\log(p_T)$
 open symbols represent ATLfast
 "reconstructed" objects

RPV mSUGRA Benchmark Points: BC1 – sample event 2

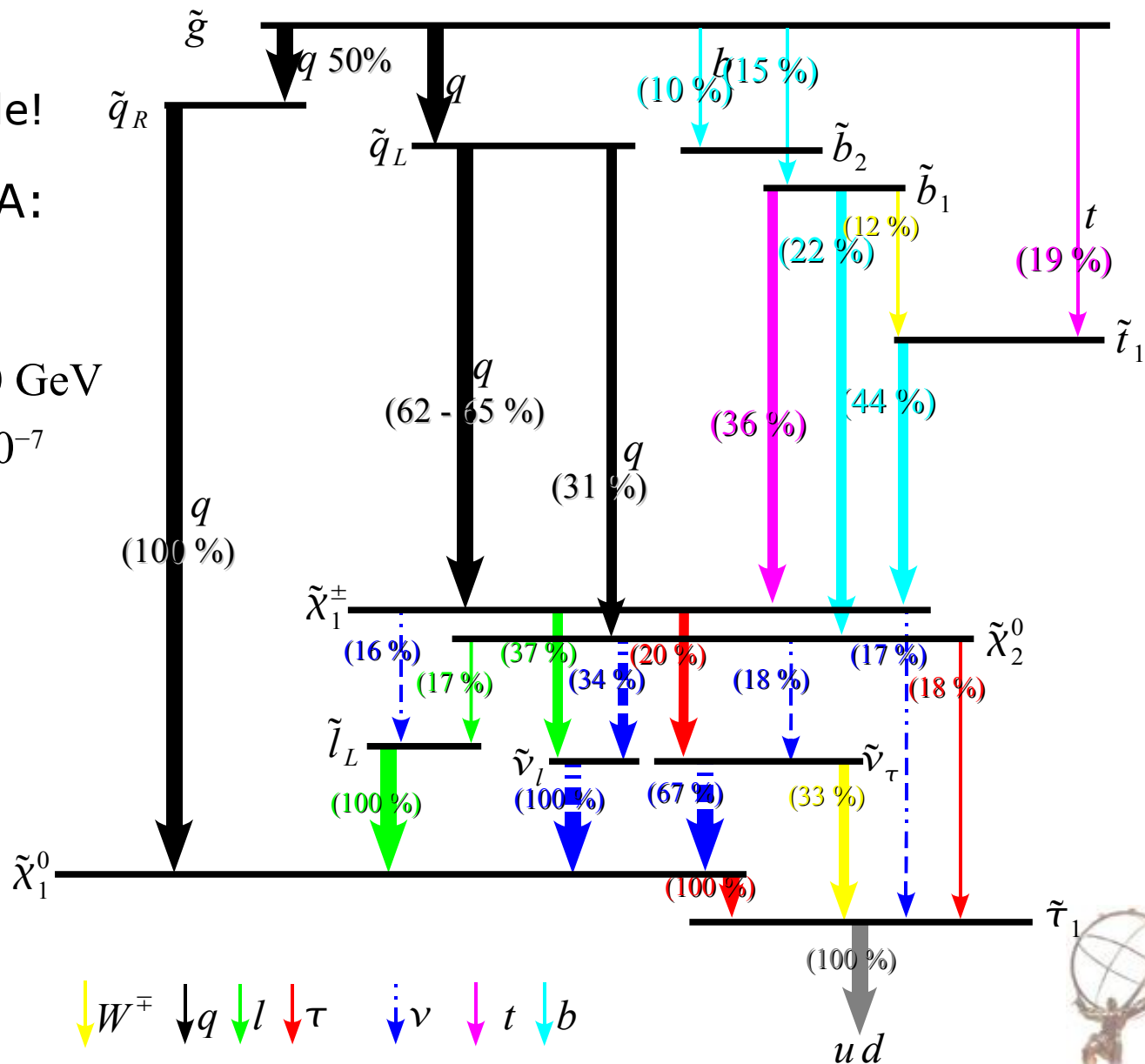
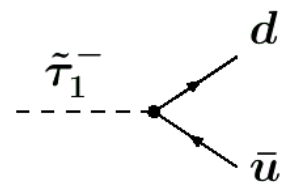


RPV mSUGRA Benchmark Points:

BC2

Spectrum not to scale!

- no-scale mSUGRA:
 $A_0 = M_0 = 0 @ M_{\text{GUT}}$,
 $\text{sgn}(\mu) = +1$,
 $\tan \beta = 13$, $M_{1/2} = 400 \text{ GeV}$
- $\lambda'_{311}(M_{\text{GUT}}) = 3.5 \times 10^{-7}$
 $(L_3 Q_1 D_1)$



RPV mSUGRA Benchmark Points:

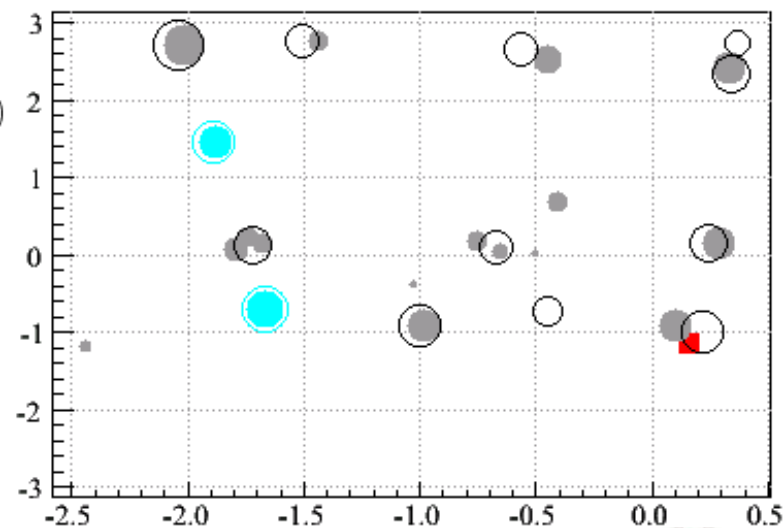
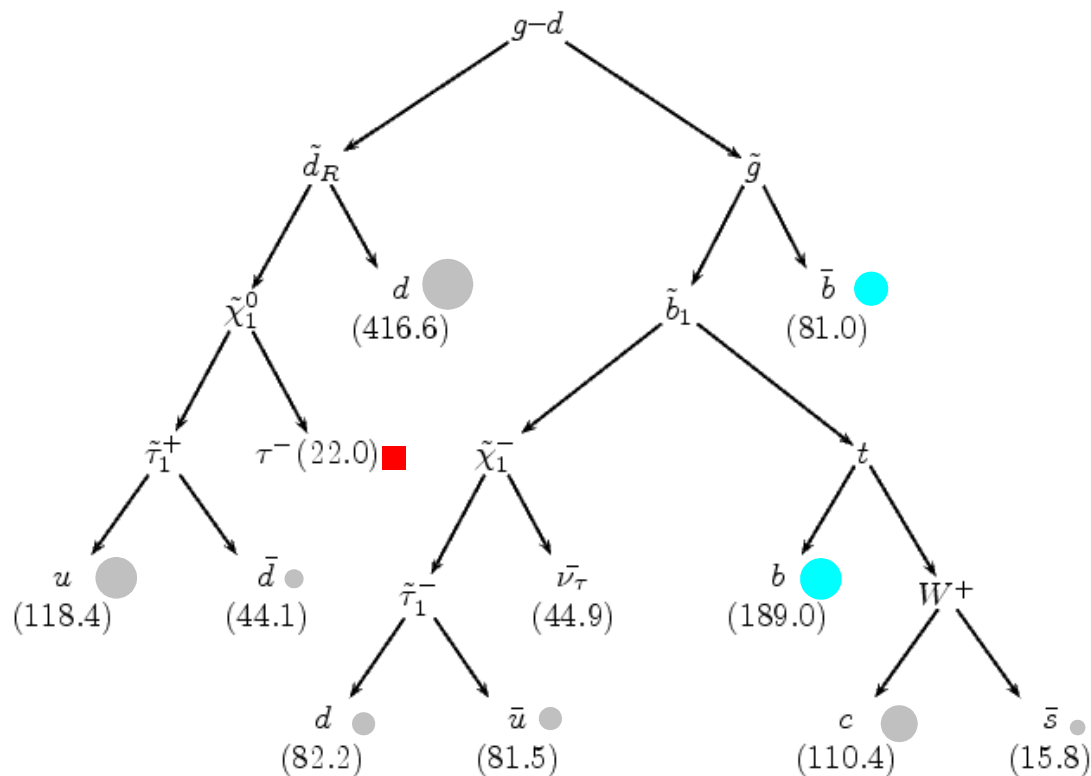
BC2 – signal rates

e^+/μ^+	e^-/μ^-	τ^+	τ^-	events	fraction
0	0	1	1	17.6%	$\pm 0.2\%$
0	0	2	0	9.0%	$\pm 0.1\%$
0	0	0	2	8.8%	$\pm 0.1\%$
1	0	1	1	6.6%	$\pm 0.1\%$
1	1	1	1	4.6%	$\pm 0.1\%$
0	1	1	1	4.4%	$\pm 0.1\%$
0	0	0	1	3.7%	$\pm 0.1\%$
0	0	1	0	3.6%	$\pm 0.1\%$
1	0	2	0	3.4%	$\pm 0.1\%$
1	0	0	2	3.4%	$\pm 0.1\%$



RPV mSUGRA Benchmark Points:

BC2 – sample event



RPV mSUGRA Benchmark Points:

BC4

Spectrum not to scale!

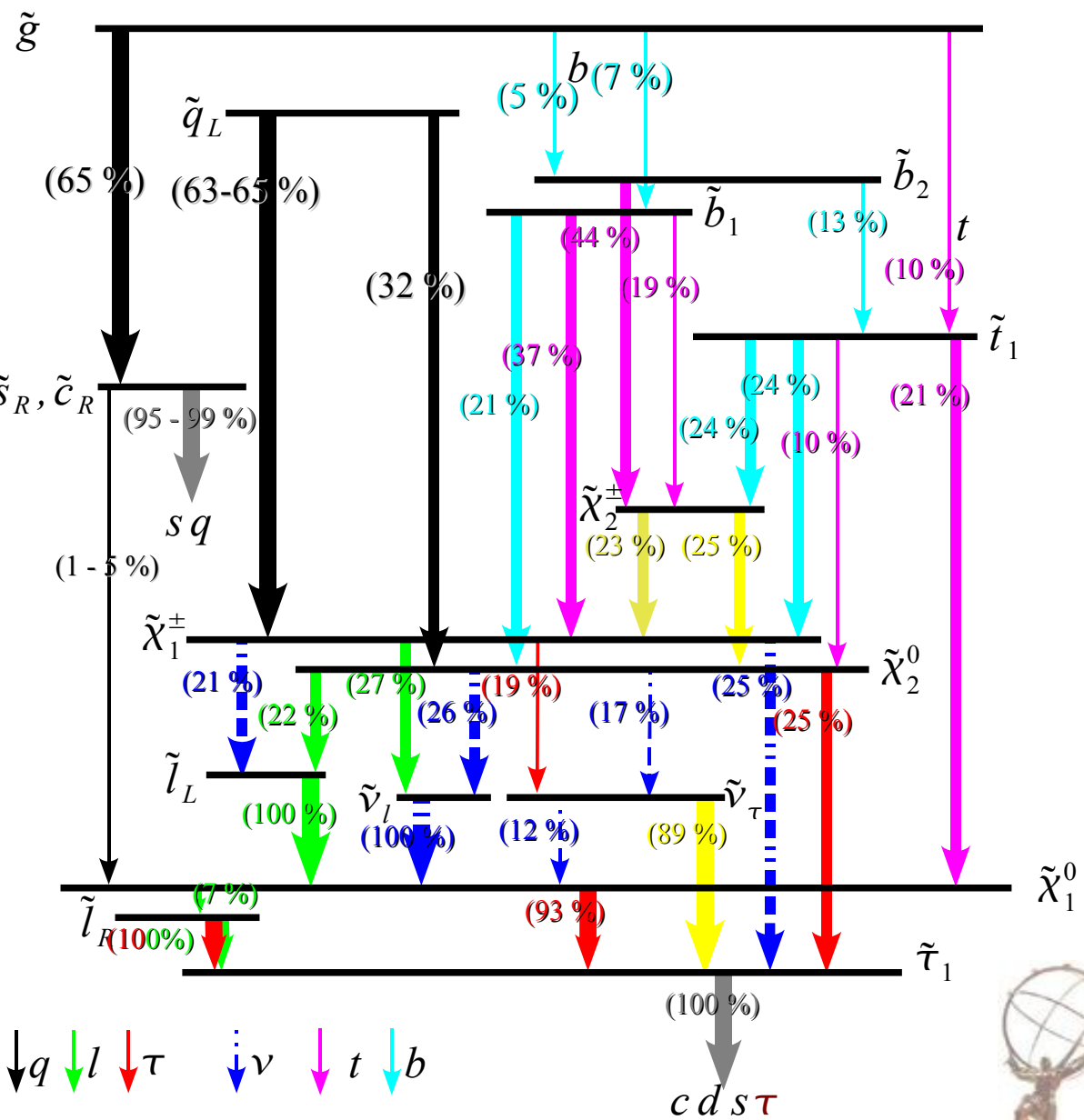
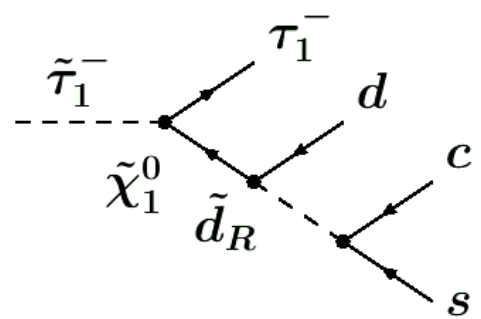
- no-scale mSUGRA:

$$A_0 = M_0 = 0 @ M_{GUT}$$

$$\text{sgn}(\mu) = +1,$$

$$\tan \beta = 30, M_{1/2} = 600 \text{ GeV}$$

- $\lambda''_{212}(M_{GUT}) = 0.5 (U_2 D_1 D_2)$



universitat bonn



RPV mSUGRA Benchmark Points:

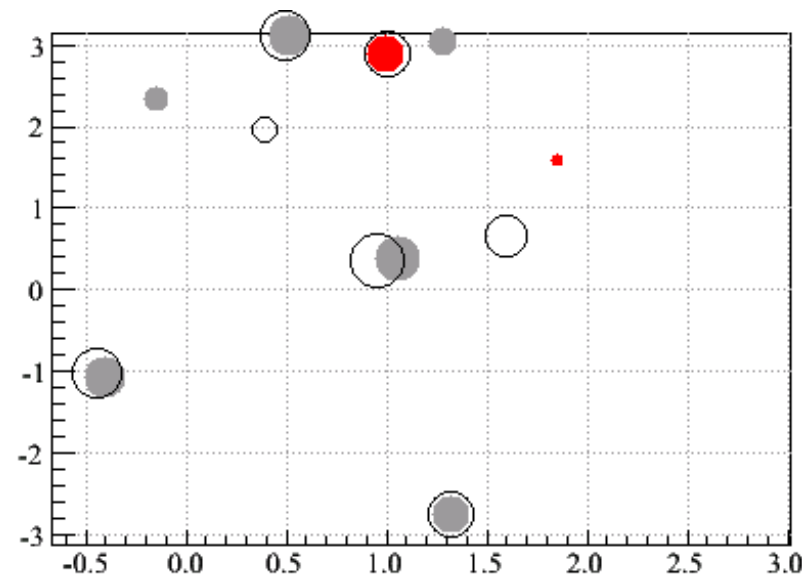
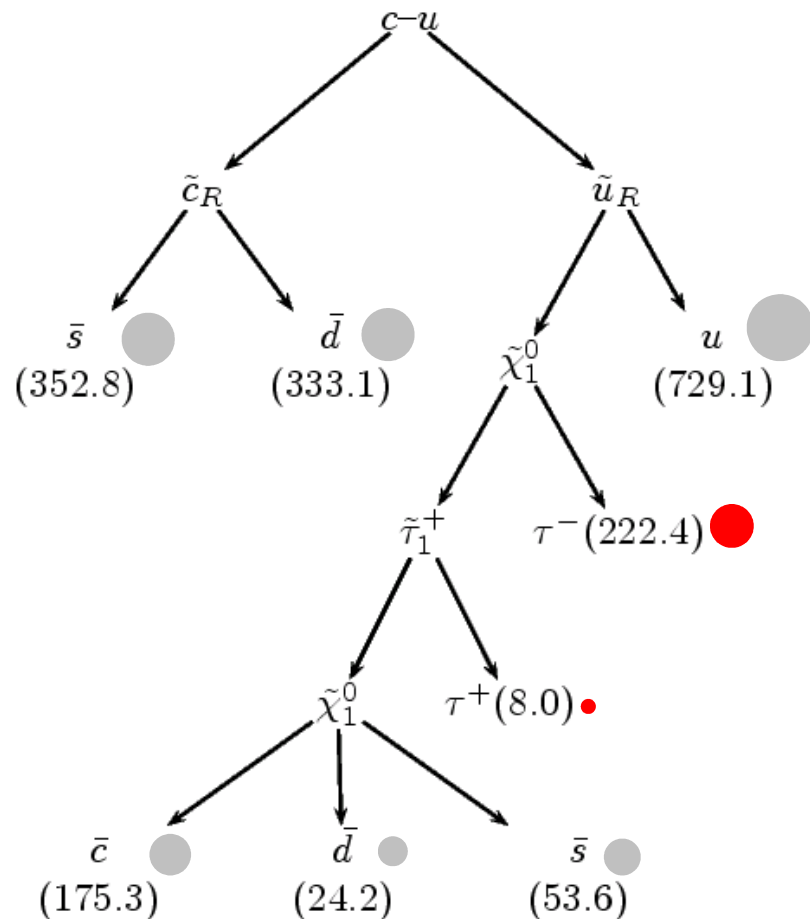
BC4 – signal rates

e^+/μ^+	e^-/μ^-	τ^+	τ^-	events fraction
0	0	1	1	22.6% \pm 0.2%
0	0	0	0	15.8% \pm 0.2%
0	0	2	2	7.4% \pm 0.1%
0	0	1	0	4.7% \pm 0.1%
1	0	1	1	4.3% \pm 0.1%
1	0	2	2	4.2% \pm 0.1%
0	0	2	1	4.1% \pm 0.1%
1	1	2	2	3.6% \pm 0.1%
0	0	0	1	3.6% \pm 0.1%
0	0	1	2	3.0% \pm 0.1%



RPV mSUGRA Benchmark Points:

BC4 – sample event

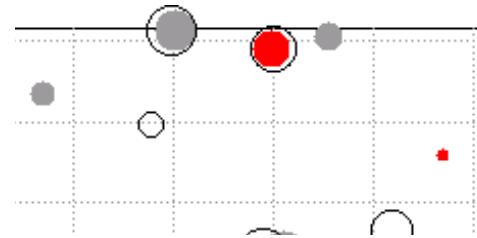


RPV mSUGRA in ATLAS

- HERWIG was modified for new four-body decays of R-parity violating mSUGRA by P. Richardson, et al.
- We have integrated the modified HERWIG in ATHENA
- Events have been classified on generator level and using ATLfast (as in release 12.0.6)
- Work is done in collaboration with Bernhardt, Dreiner, Grab and Richardson
- Analysis strategy for the stau-LSP benchmark points will be developed



Open questions



- Truth labeling of taus in ATLfast:
 - Why are “reconstructed” jets often not truth labeled (tau efficiency mostly affected by labeling, not by tagging)?
- Is Triggering possible for BC2?
 - less leptons ($\text{stau} \rightarrow u d$)
 - no taus from LSP decay
 - jets may not be hard enough
- Event selection for BC4?
 - many jets ($\text{stau} \rightarrow c d s \tau$)
 - less taus, sometimes hidden behind other jets

Summary & Conclusions

- R-parity violating couplings strongly constrained
- non-stable LSP allows for different phenomenology compared to R-parity conserving models
- mSUGRA model with stau-LSP is investigated
- Benchmark point BC 1 seems to be “nice”
- BC 2 and BC 4 may be hard to trigger / select
- Full simulation needed to understand tau simulation in ATLfast and for trigger studies

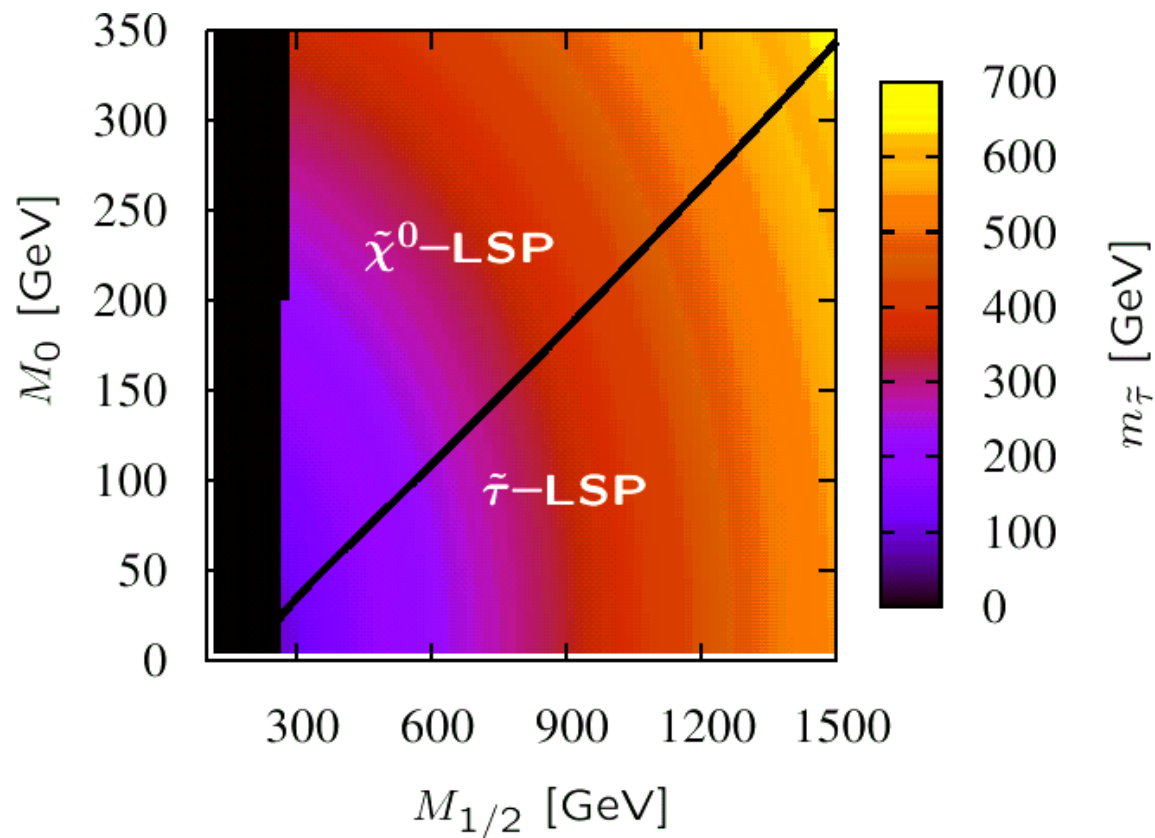


Backup



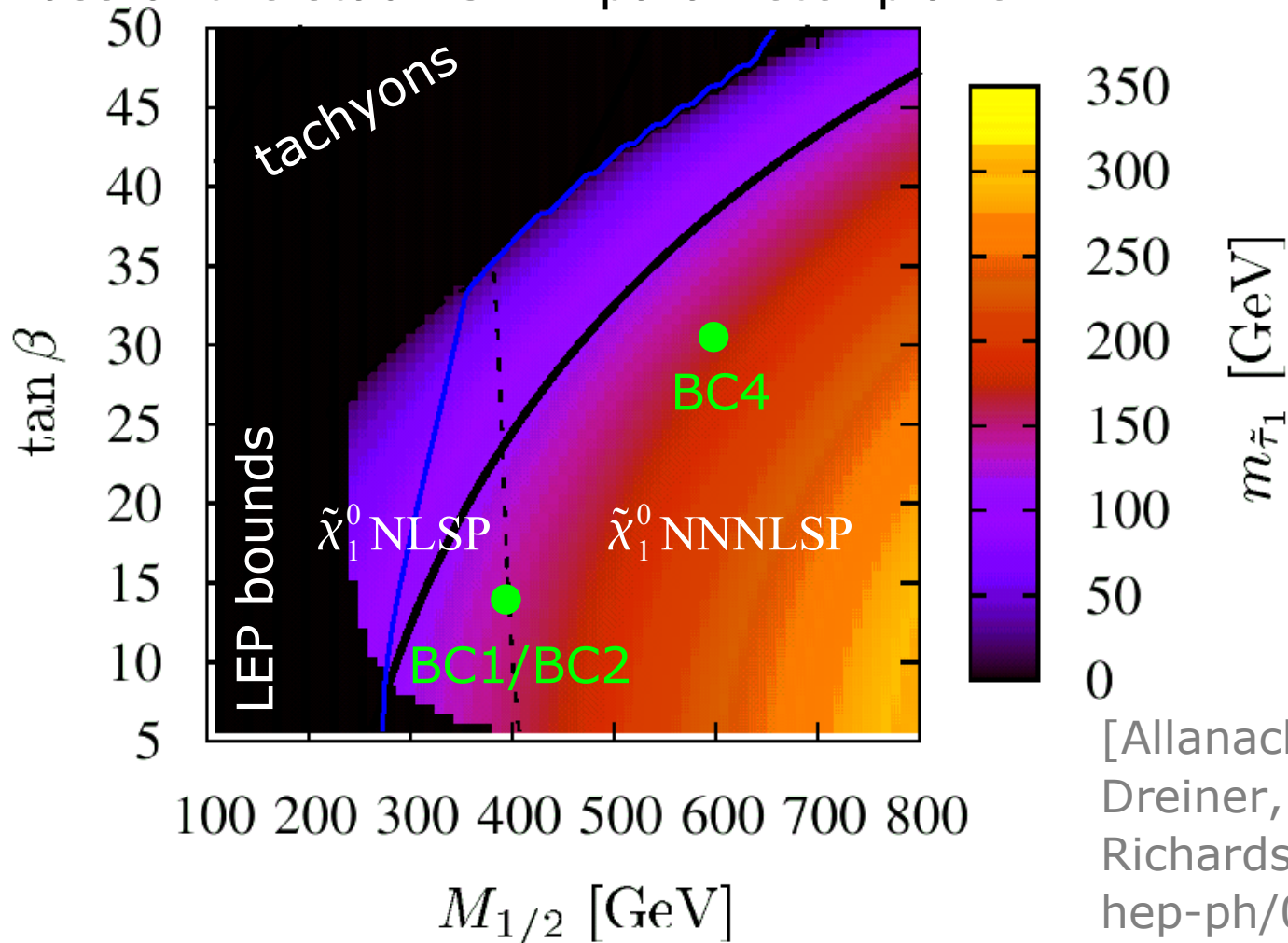
R-parity violating mSUGRA

- SPS1a region: $A_0 = -100$ GeV, $\tan \beta = 10$, $\text{sgn}(\mu) = +1$



R-parity violating mSUGRA

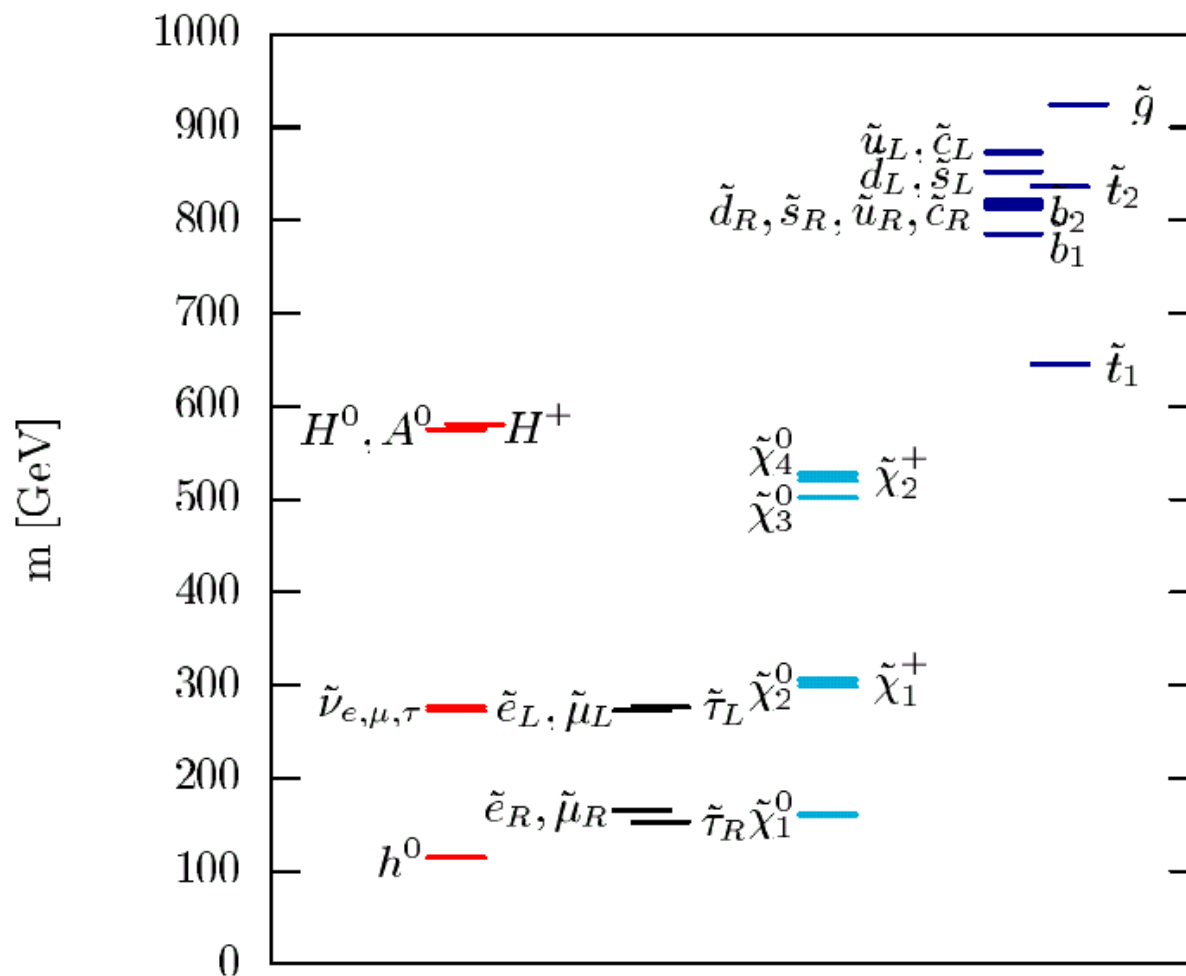
- no-scale mSUGRA: $A_0 = M_0 = 0 @ M_X$, $\text{sgn}(\mu) = +1$
- mass of the stau LSP in parameter plane



[Allanach, Bernhardt,
 Dreiner, Korn,
 Richardson:
 hep-ph/0609263]



BC1 / BC2 mass spectrum



BC4 mass spectrum

